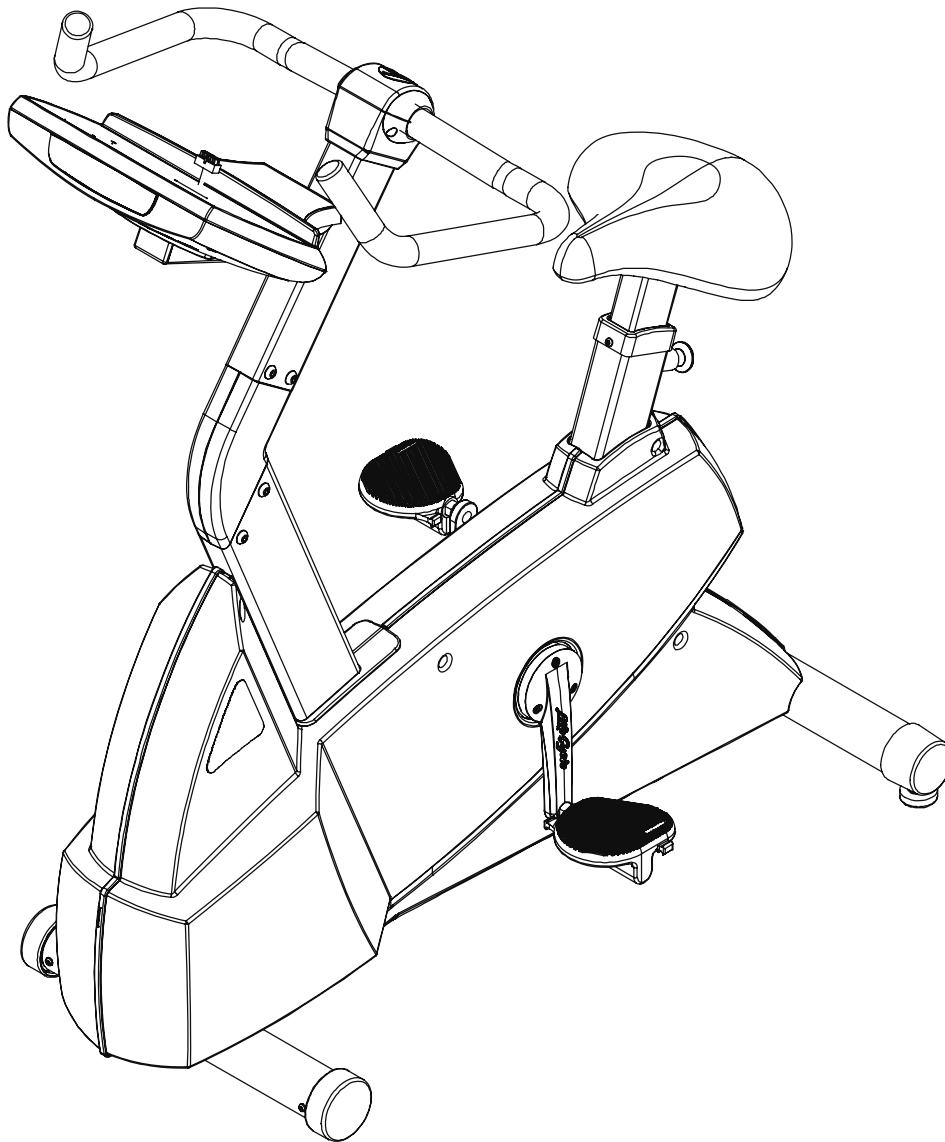


# *LifeFitness*

ARCTIC SILVER 90C Upright Bike



Customer Support Services  
**PARTS MANUAL** rev 29 Apr 2008

**ARCTIC SILVER 90C**  
**REFERENCES**

**90C-0XXX-02**  
**S/N CCH100000 and UP**

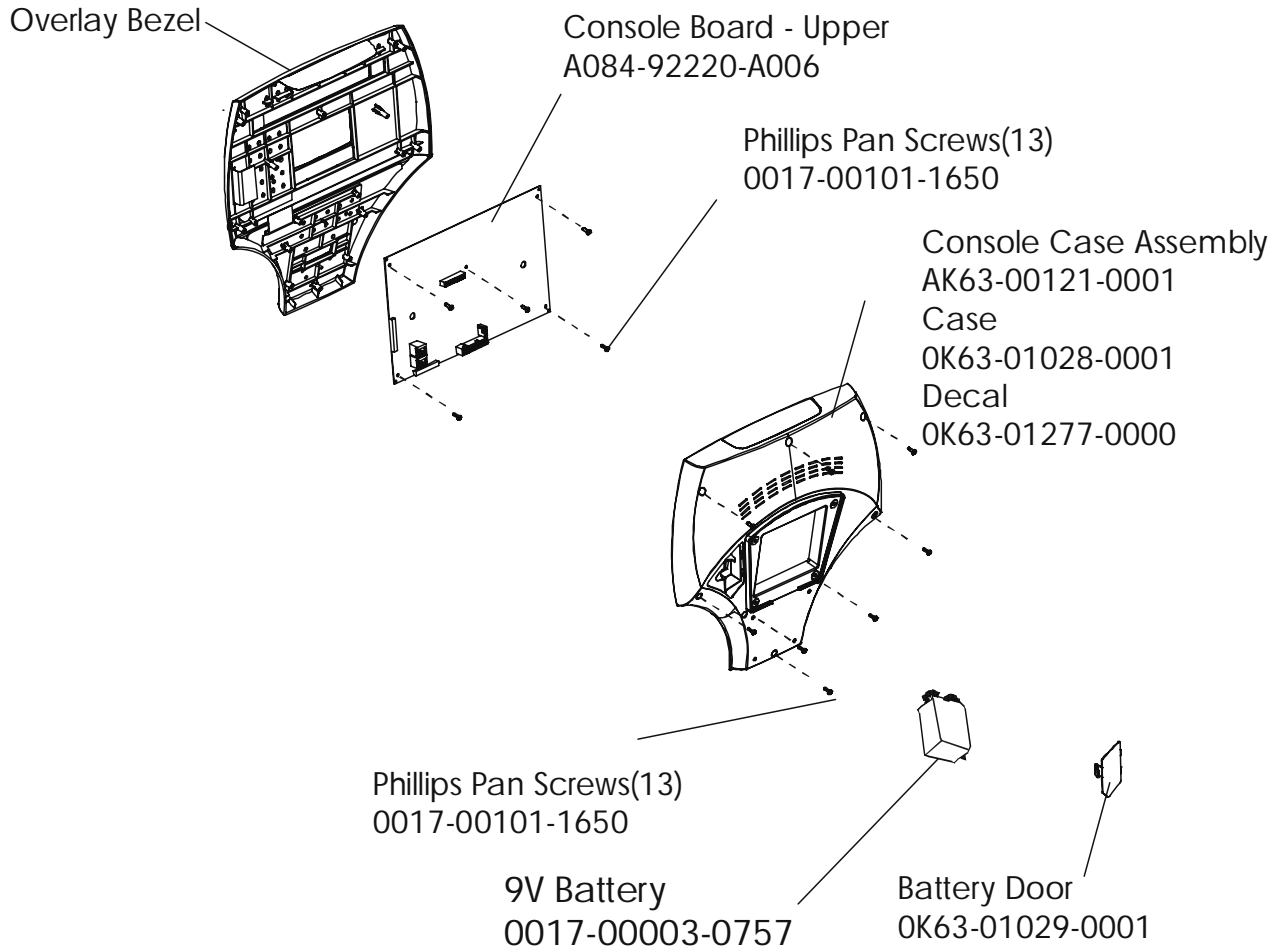
---

OPERATION MANUAL	M051-00K63-A068
ACCESSORY TRAY	GK63-00002-0004
HARDWARE BAG	GK63-00002-0044
POLAR UPGRADE KIT	GK63-00002-0002
TOUCH UP PAINT: SPRAY CAN .5 OZ BOTTLE .33 OZ PEN	0017-00008-0204 0017-00008-0205 0017-00008-0206
SERVICE MANUAL	M051-00K63-A009

	Page
CONSOLE COMPONENTS .....	4
CONSOLE MOUNTING SCREWS AND POLAR COVERS.....	5
ALTERNATOR W/PULLEY .....	6
CRANKSHAFT AND BEARING ASSEMBLY.....	7
INTERMEDIATE SHAFT AND BEARING ASSEMBLY.....	8
SEAT LATCH ASSEMBLY .....	9
SEAT POST ASSEMBLY .....	10
SEAT POST SHROUDS.....	11
IDLER BRACKET ASSEMBLY.....	12
CONSOLE SUPPORT ASSEMBLY.....	13
LEFT SIDE SHROUD AND CRANKARM .....	14
RIGHT SIDE SHROUD AND CRANKARM.....	15
PCB MOUNTING BRACKET ASSEMBLY.....	16
FRONT WHEELS.....	17
RESISTOR ASSEMBLY.....	18
HANDLEBAR ASSEMBLY.....	19
BELTS.....	20
CABLES.....	21

**ARCTIC SILVER 90C**  
**Console Components**

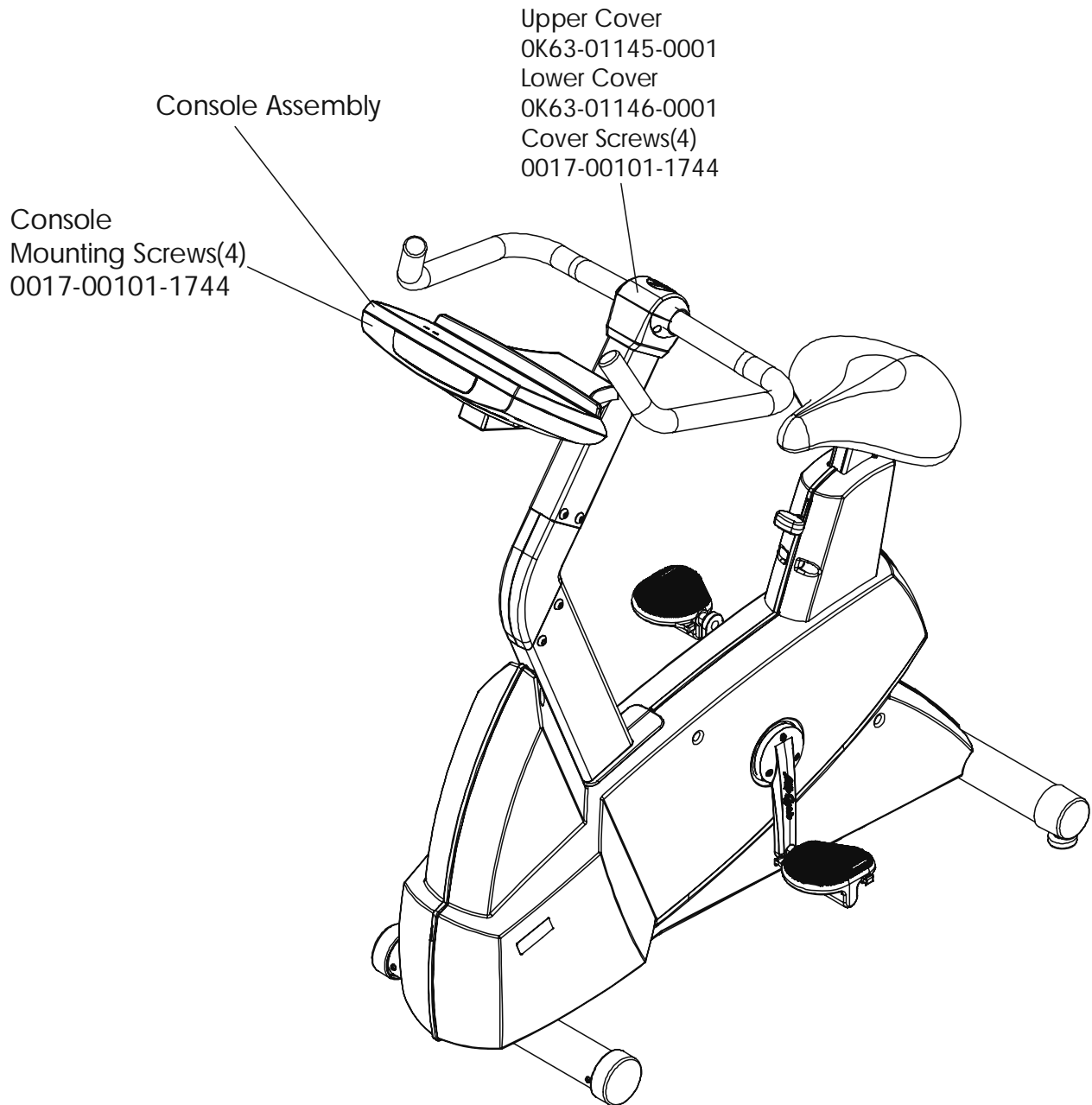
**90C-0XXX-02**  
**S/N CCH100000 and UP**



Console Assembly	Bezel W/Overlay Assy.
AK63-00162-0001 Eng Met	AK63-00167-0001 Eng Met
AK63-00162-0002 Eur Met	AK63-00167-0002 Eur Met
AK63-00162-0003 Ger Met	AK63-00167-0003 Ger Met
AK63-00162-0004 Spn Met	AK63-00167-0004 Spn Met
AK63-00162-0006 Jap Met	AK63-00167-0006 Jap Met
AK63-00162-0007 Frn Met	AK63-00167-0007 Frn Met
AK63-00162-0008 Itl Met	AK63-00167-0008 Itl Met
AK63-00162-0009 Dut Met	AK63-00167-0009 Dut Met
AK63-00162-0010 Por Met	AK63-00167-0010 Por Met

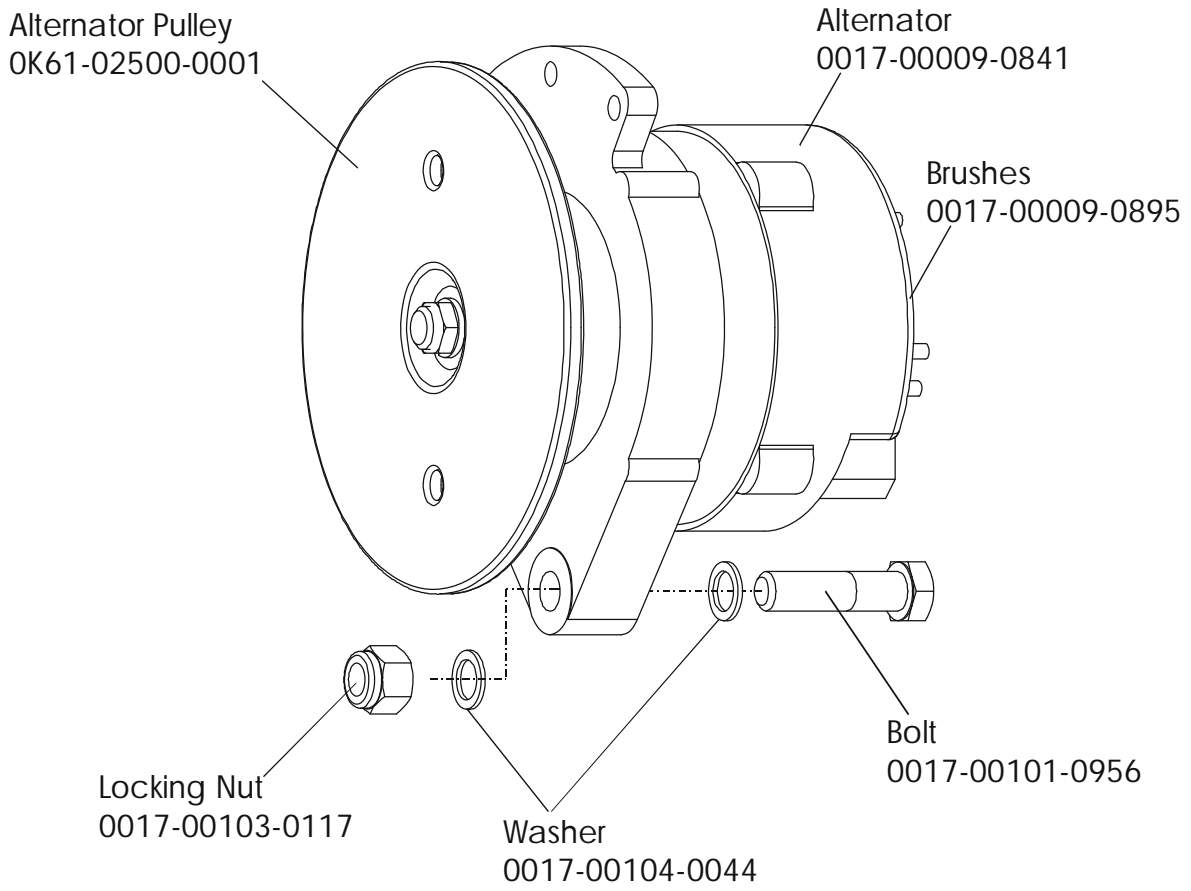
**ARCTIC SILVER 90C**  
**Console Screws & Polar Covers**

**90C-0XXX-02**  
**S/N CCH100000 and UP**



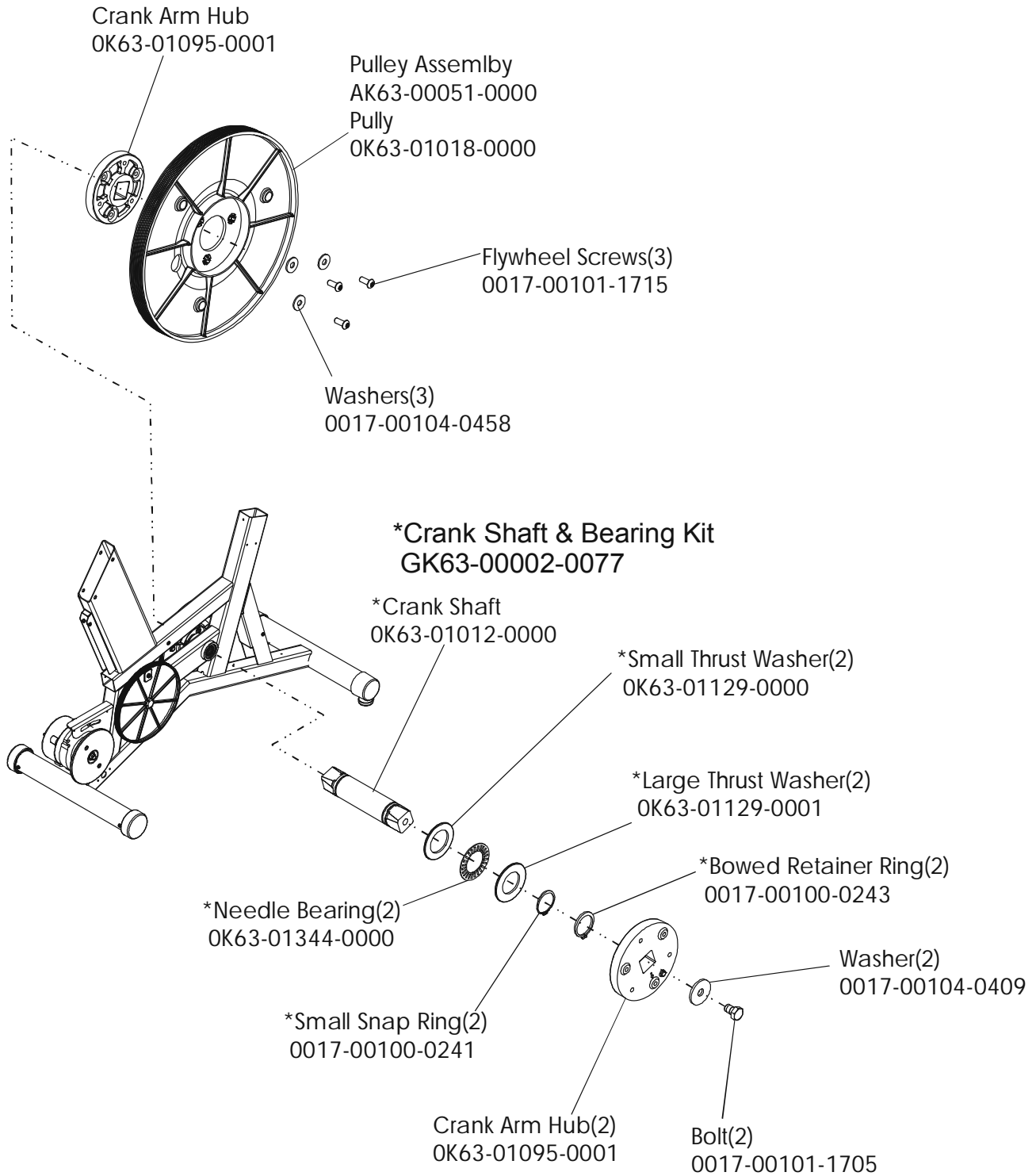
**ARCTIC SILVER 90C**  
**Alternator w/Pulley - AK63-00093-0000**

**90C-0XXX-02**  
**S/N CCH100000 and UP**



**ARCTIC SILVER 90C**  
**Crankshaft and Bearing Assembly**

**90C-0XXX-02**  
**S/N CCH100000 and UP**



**ARCTIC SILVER 90C**

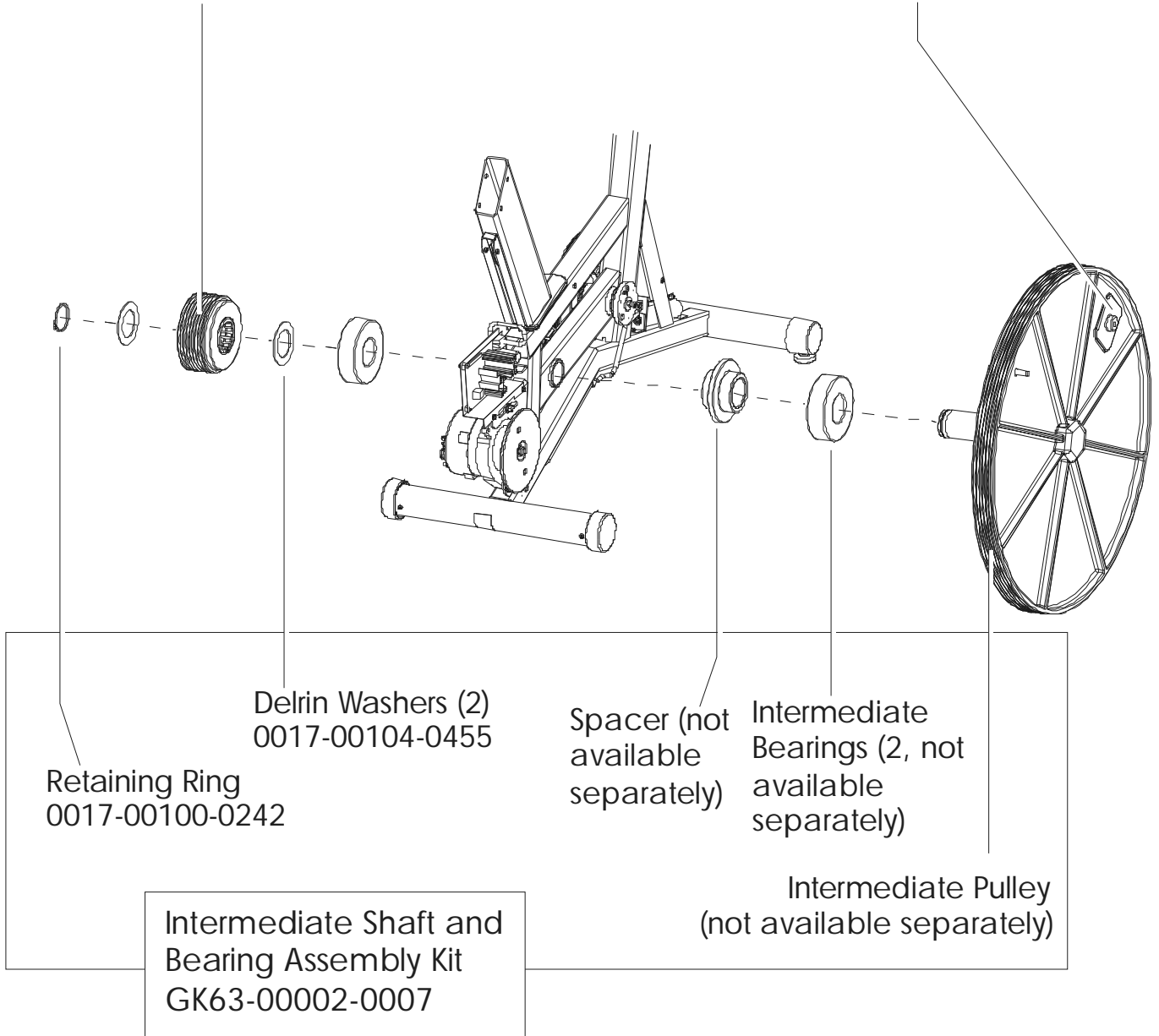
**90C-0XXX-02**

**Intermediate Shaft & Bearing Assembly**

**S/N CCH100000 and UP**

Clutch Assembly  
AK63-00026-0000  
(not included in kit)

Magnet  
118E-00001-0124  
(not included in kit)



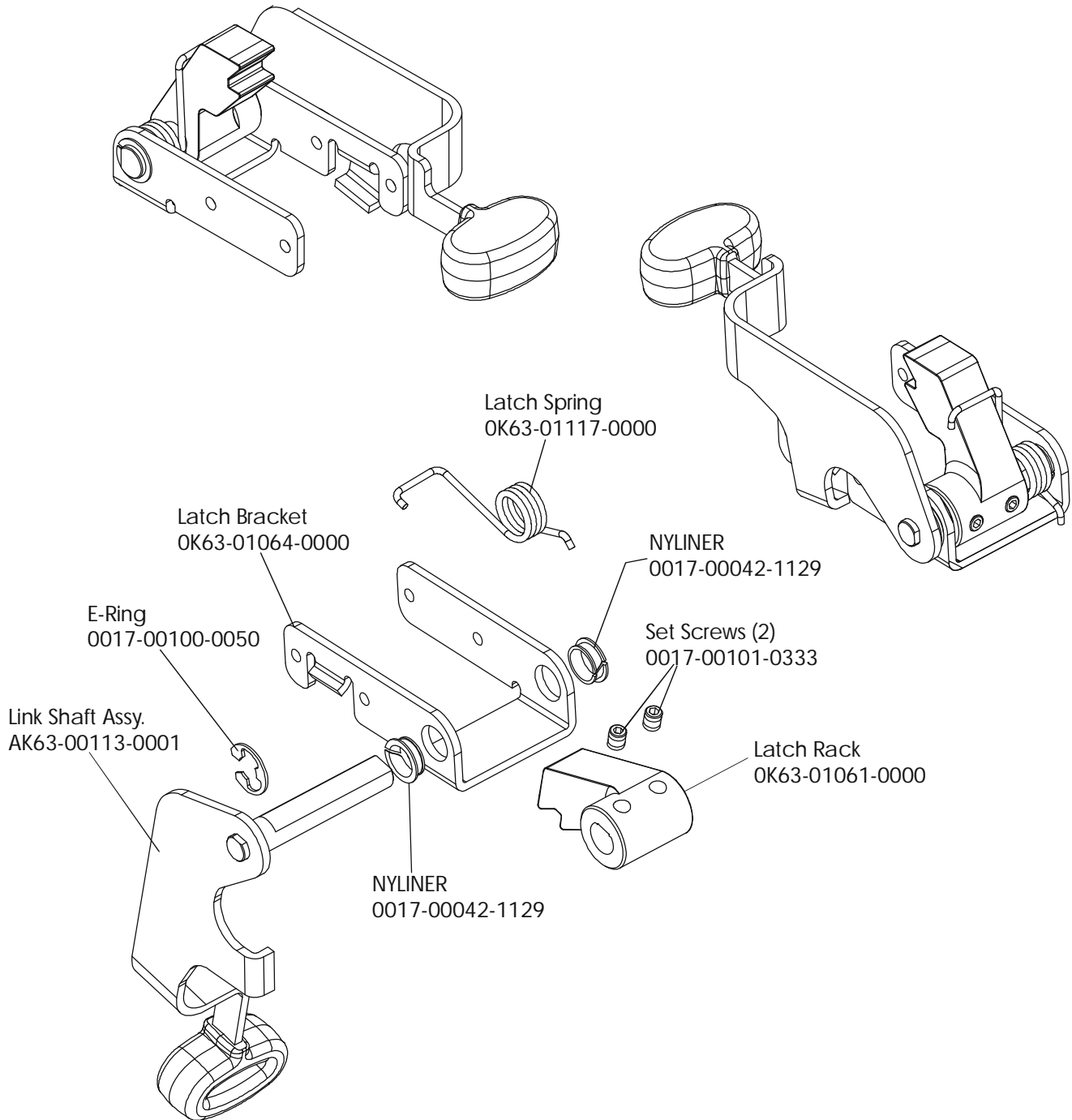


**ARCTIC SILVER 90C**

**Seat Latch Assembly - AK63-00043-0001**

**90W-0XXX-02**

**S/N CCH100000 and UP**

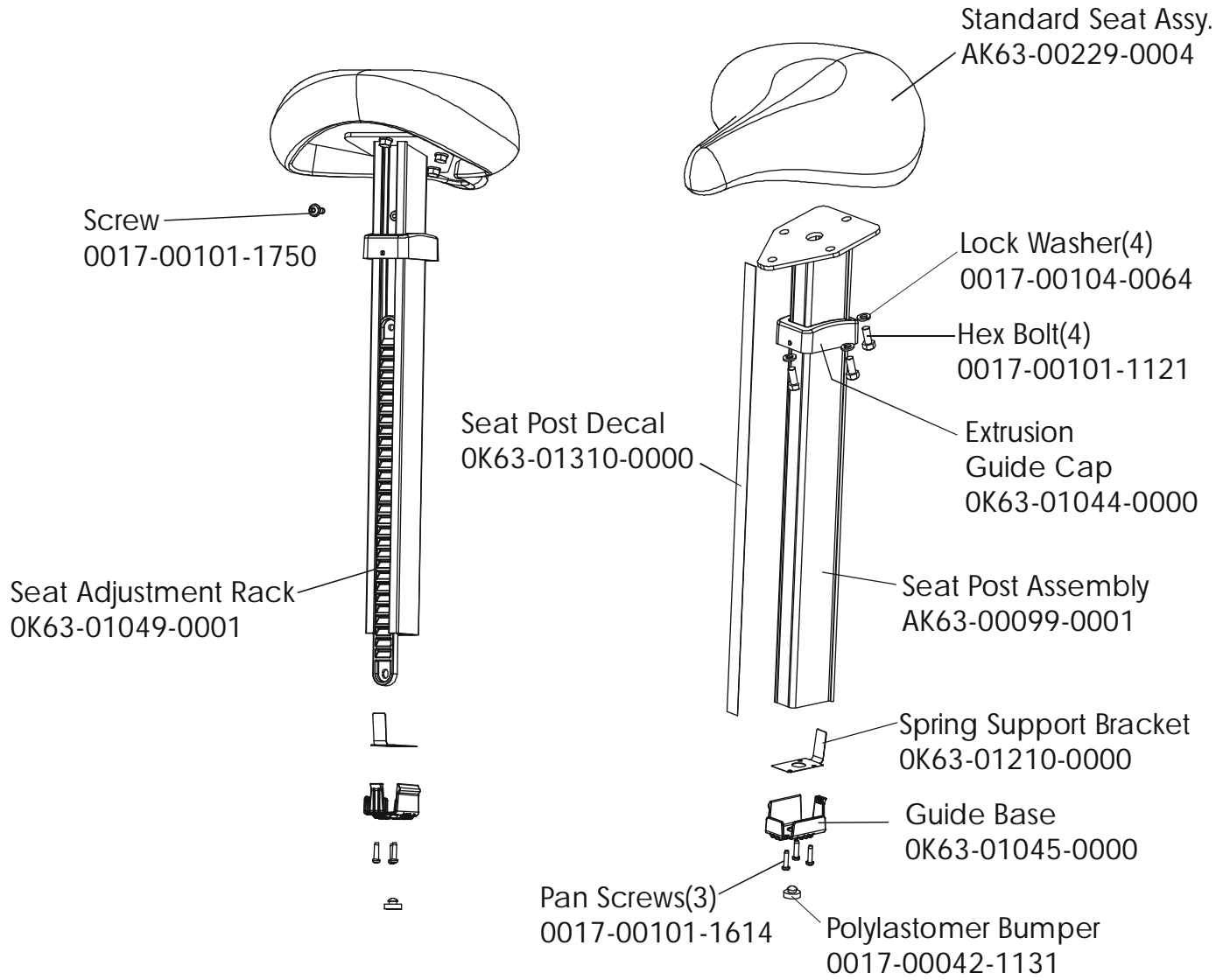


# ARCTIC SILVER 90C

## Seat Post Assembly – AK63-00232-0003

90C-0XXX-02

S/N CCH100000 and UP



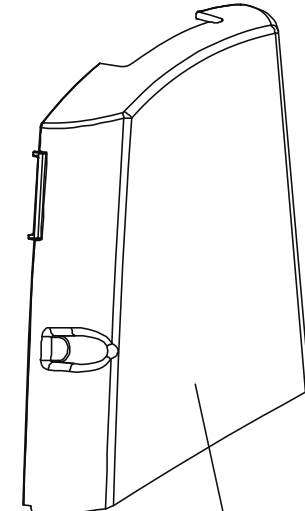
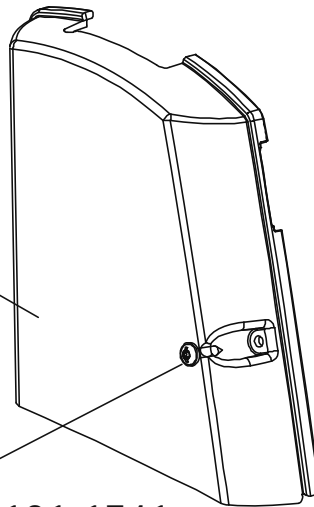
**ARCTIC SILVER 90C**  
**Seat Post Shrouds**

**90C-0XXX-02**  
**S/N CCH100000 and UP**

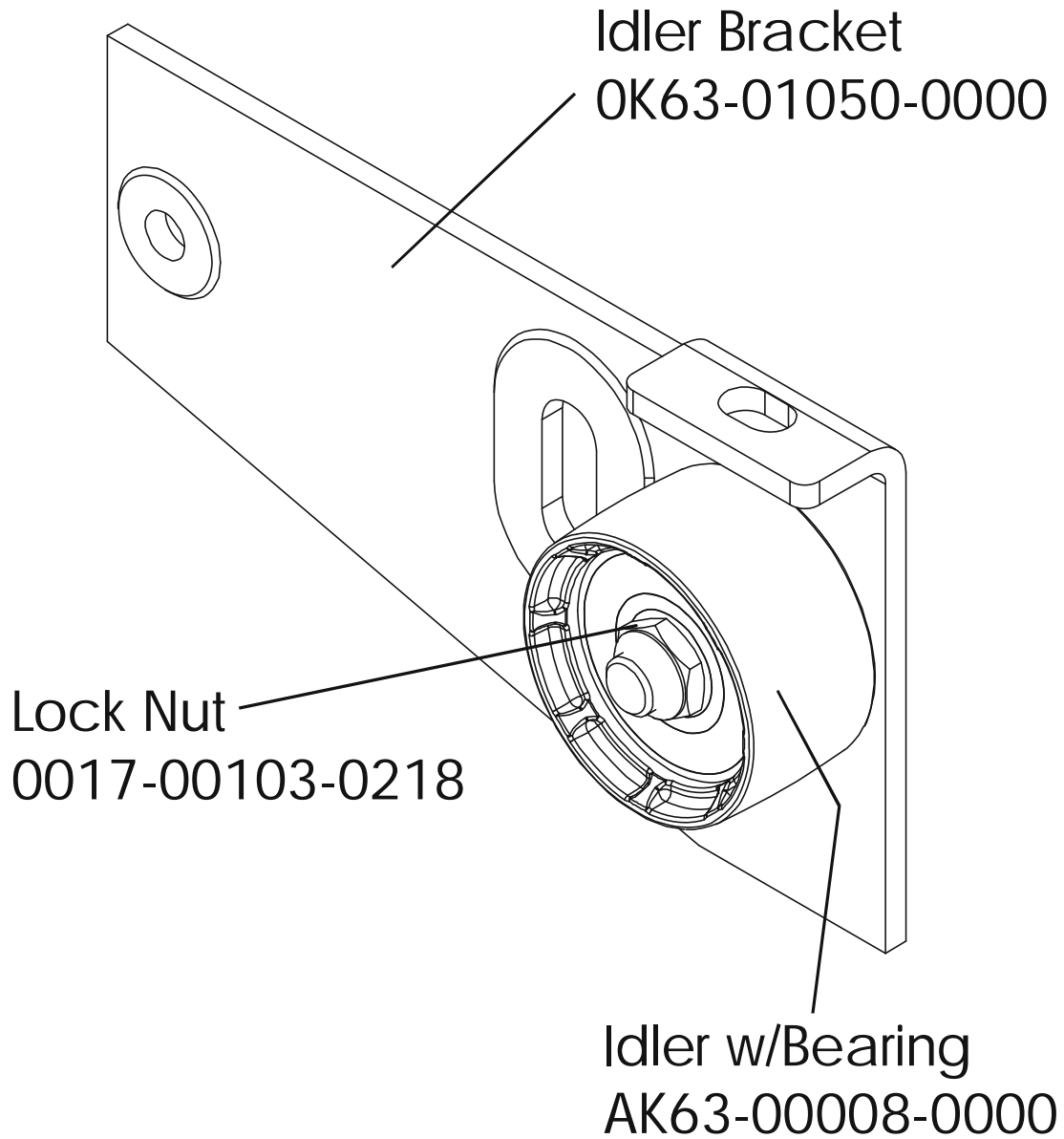
---

Left Seat Post Shroud  
OK63-01092-0010

Screw  
0017-00101-1741



Right Seat Post Shroud  
OK63-01092-0009

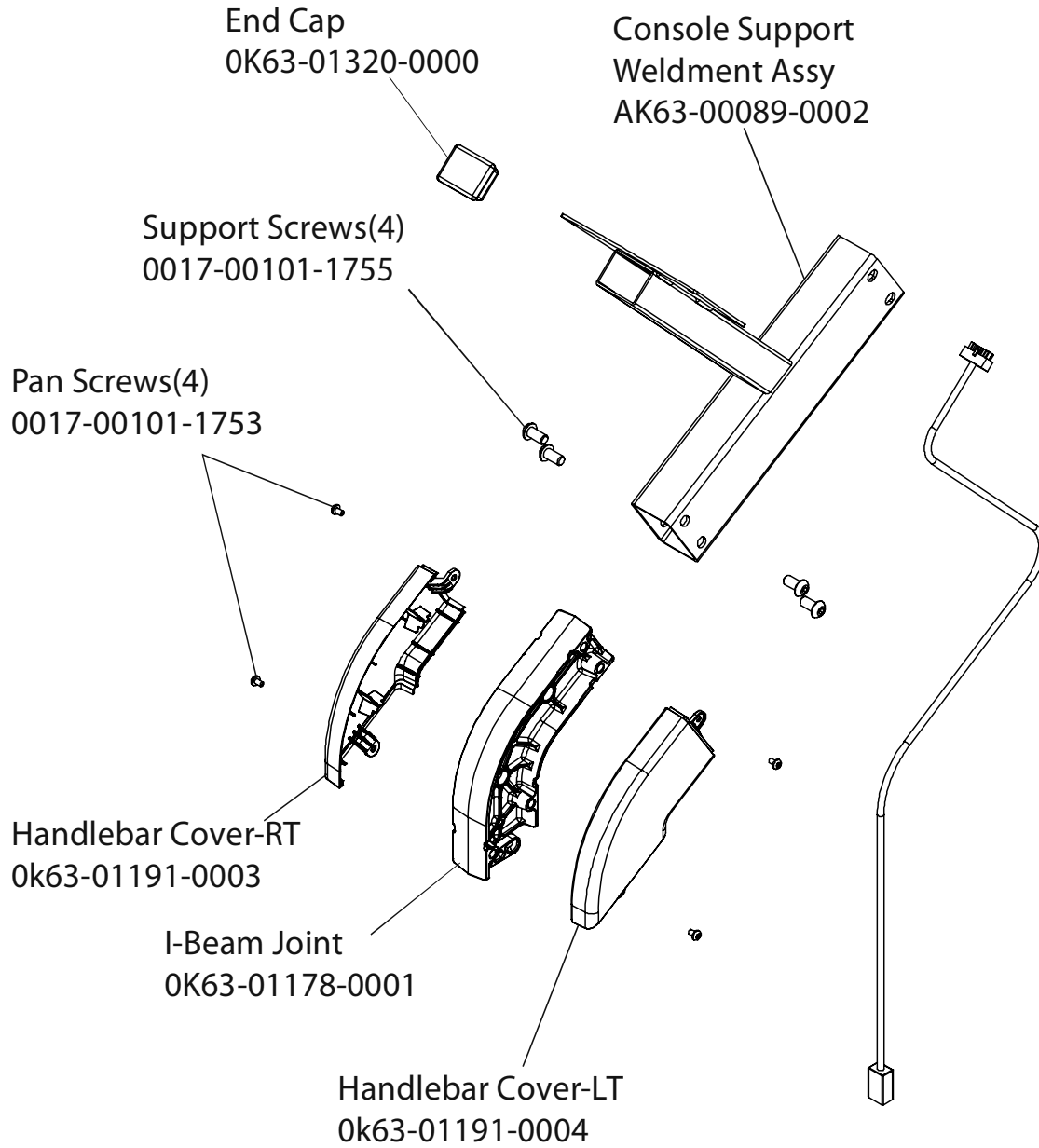


**ARCTIC SILVER 90C**

**Console Support Assembly AK63-00089-0002**

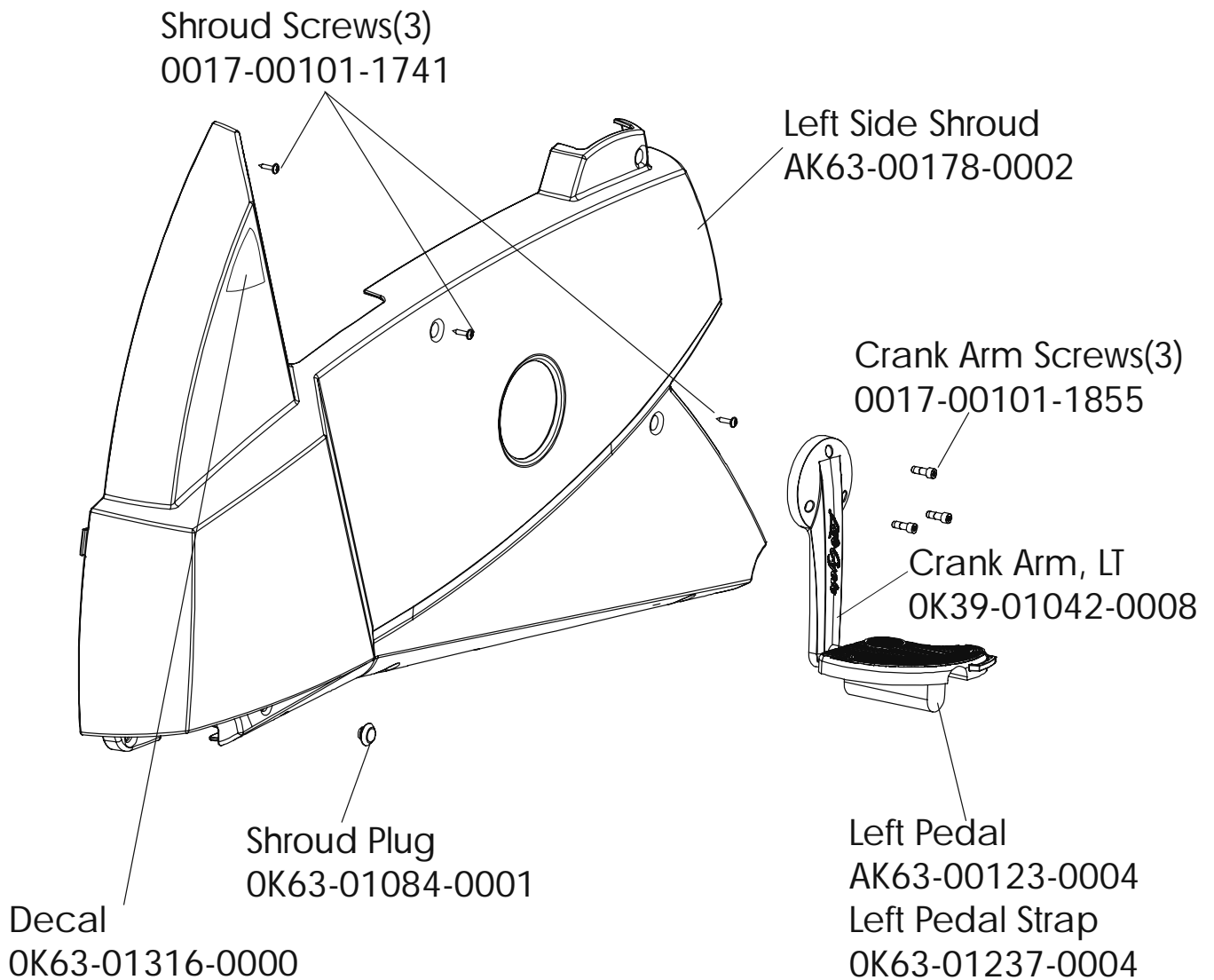
**90C-0XXX-02**

**S/N CCH100000 and UP**



**ARCTIC SILVER 90C**  
**Left Side Shroud and Crankarm**

**90C-0XXX-02**  
**S/N CCH100000 and UP**

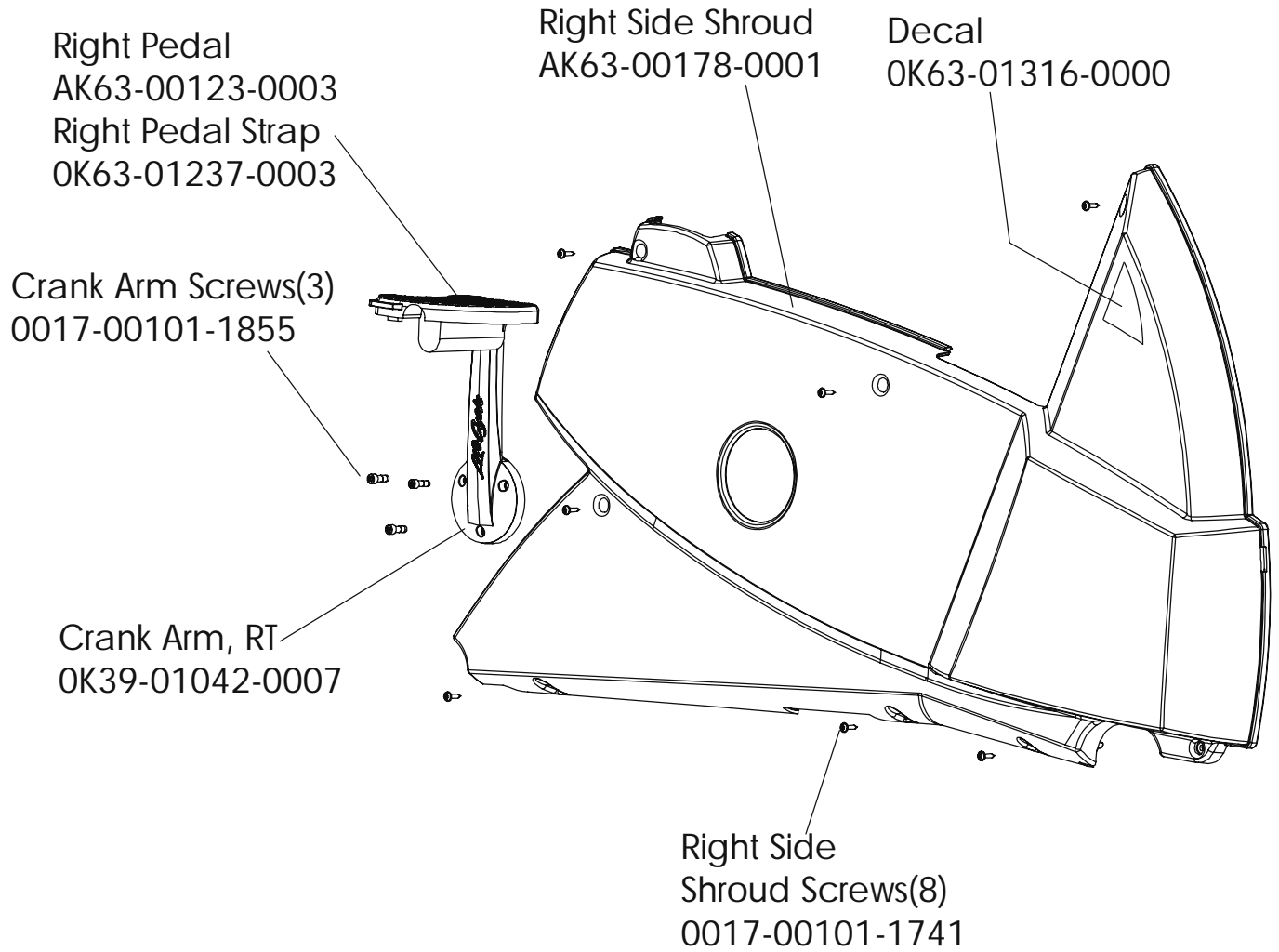


**ARCTIC SILVER 90C**

**Right Side Shroud and Crankarm**

**90C-0XXX-02**

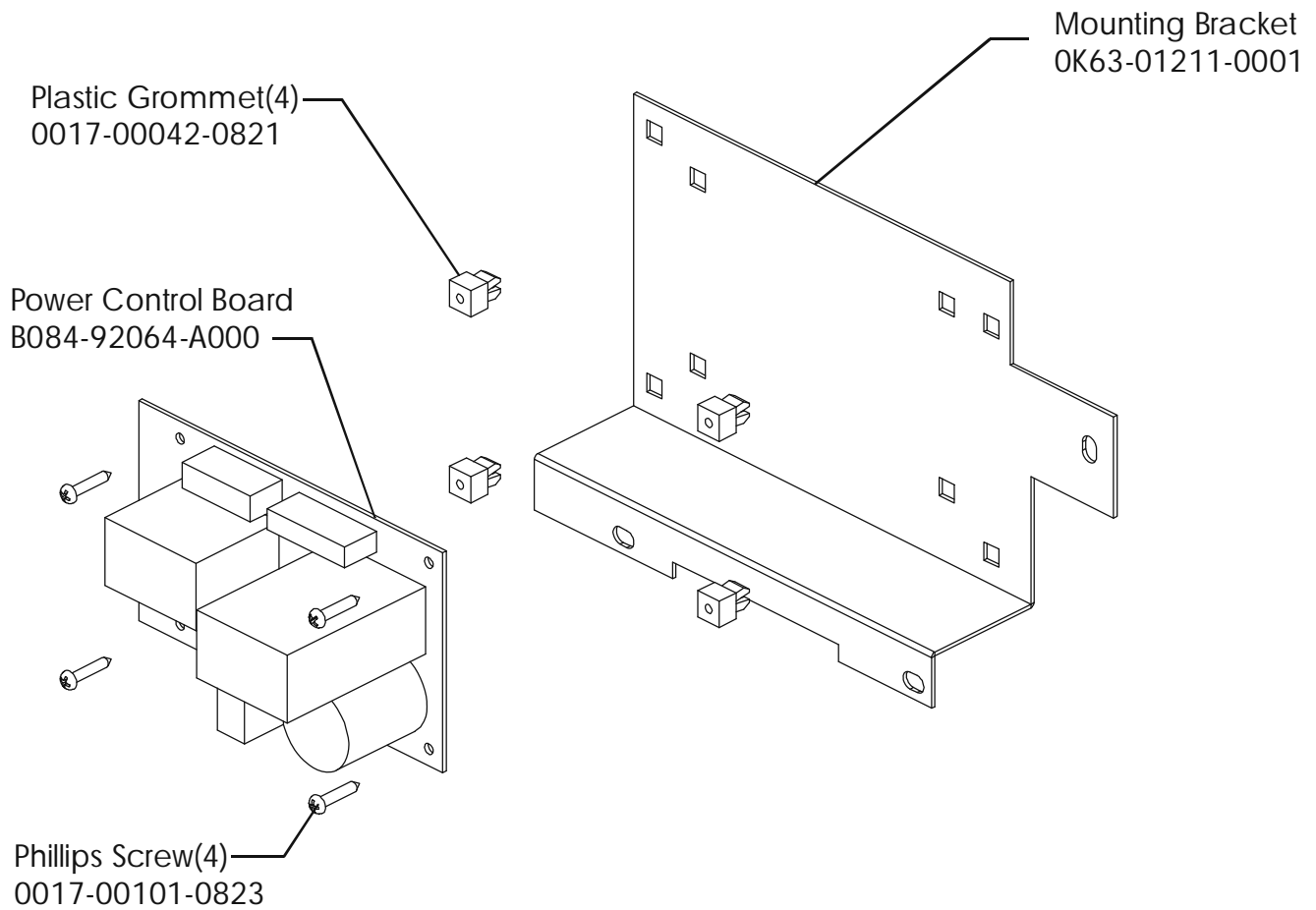
**S/N CCH100000 and UP**



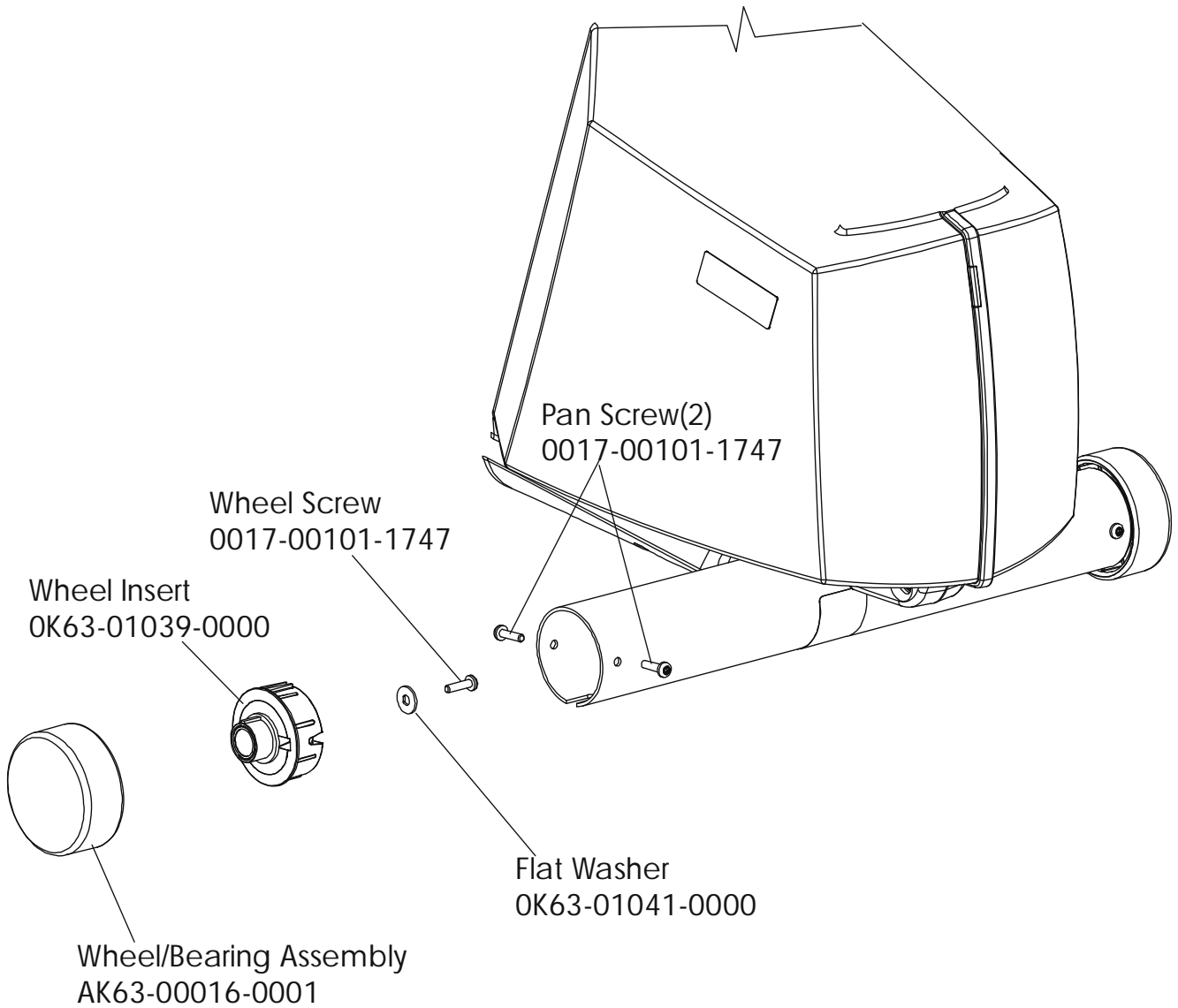
**ARCTIC SILVER 90C**  
**PCB Mounting Bracket Assembly**

**90C-0XXX-02**  
**S/N CCH100000 and UP**

Assembly Number – AK63-00094-0000





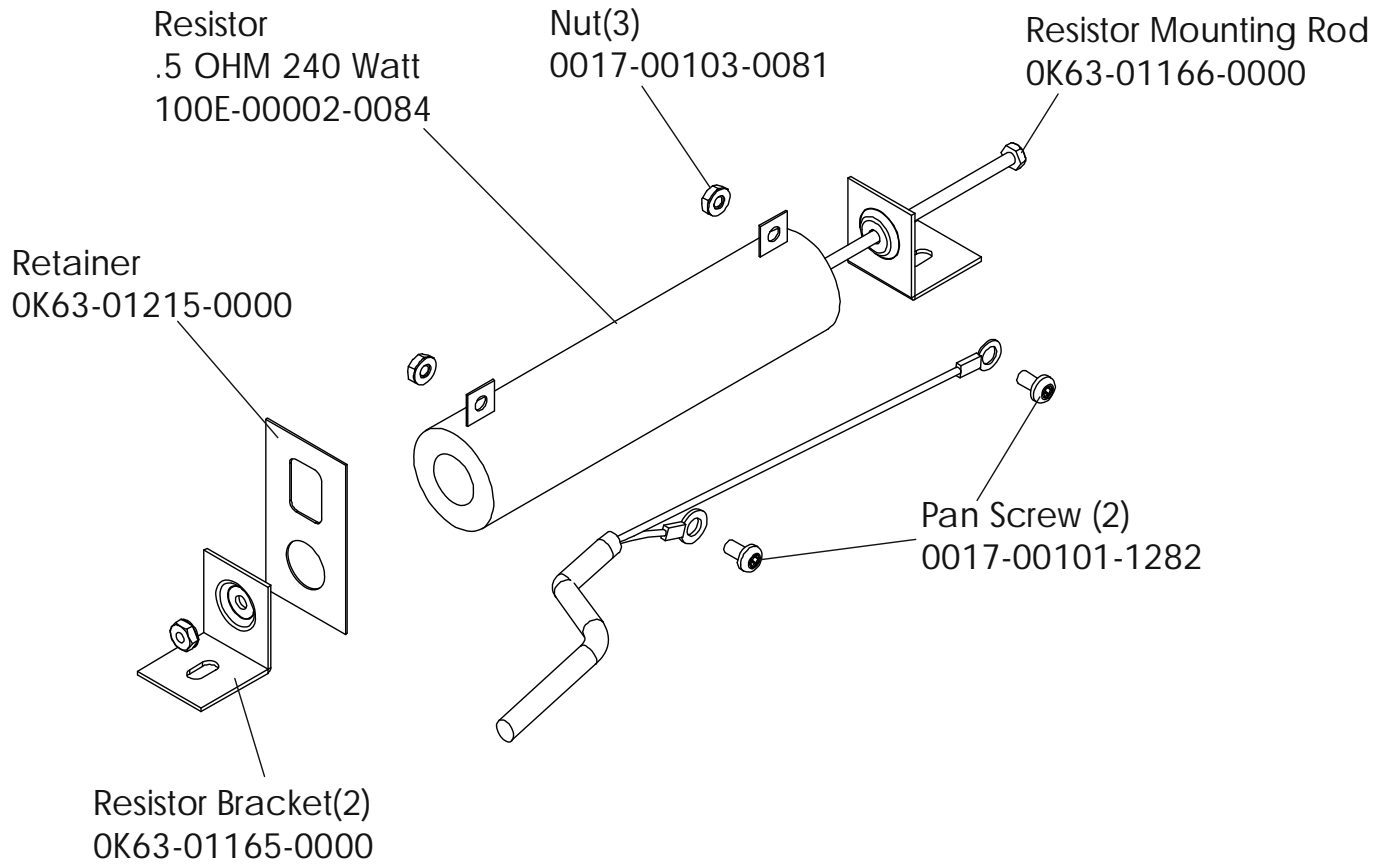


**ARCTIC SILVER 90C**

**Resistor Assembly - AK63-00114-0000**

**90C-0XXX-02**

**S/N CCH100000 and UP**



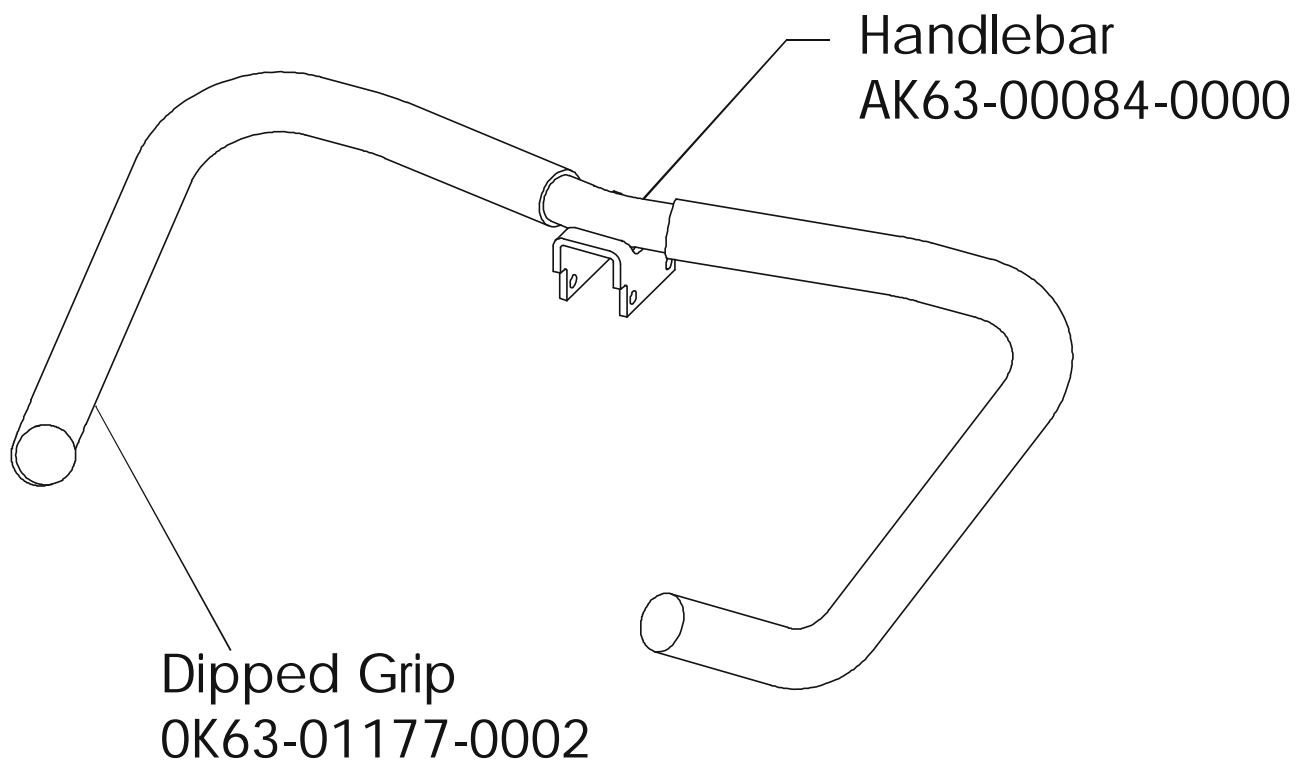
**ARCTIC SILVER 90C**

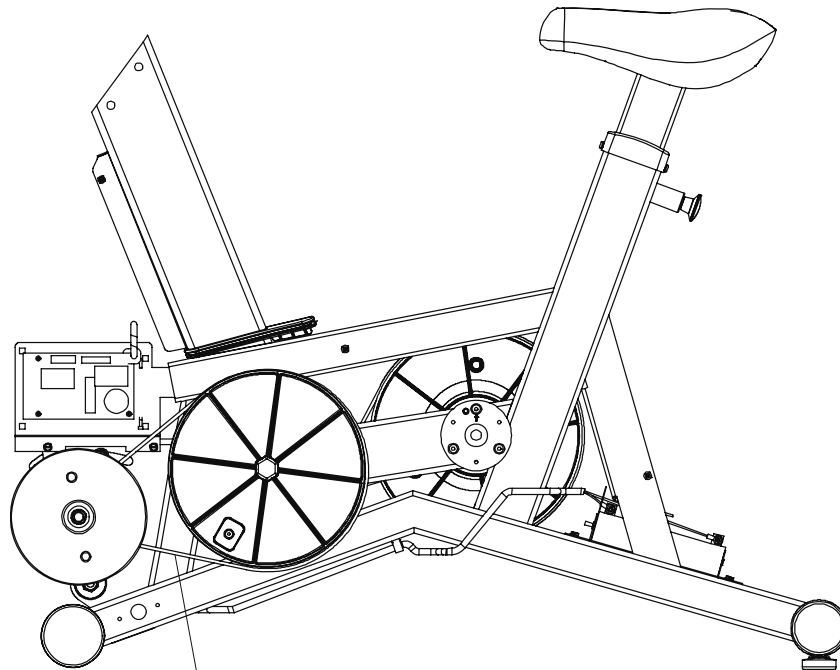
**Handlebar Assembly - AK63-00101-0001**

**90C-0XXX-02**

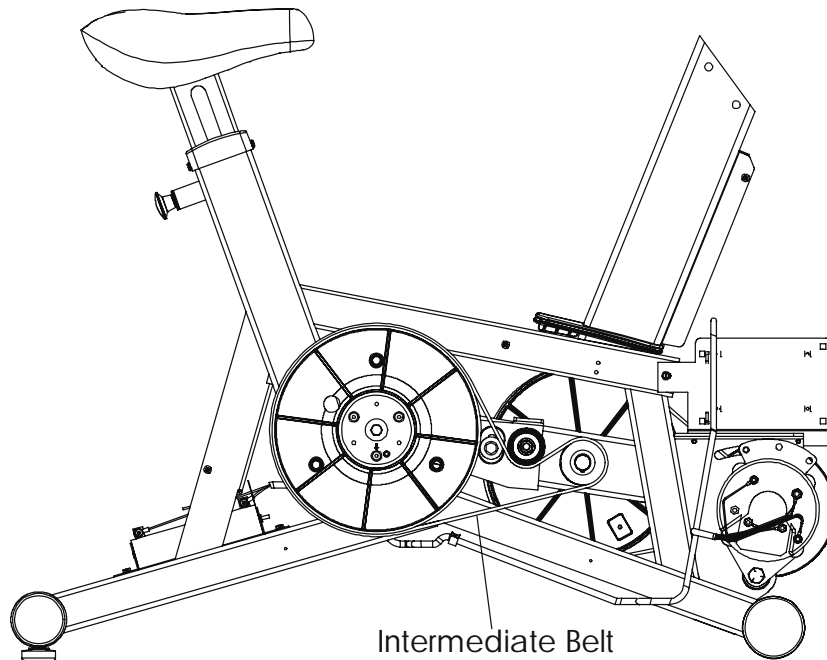
**S/N CCH100000 and UP**

---





Alternator Belt  
OK63-01065-0000



Intermediate Belt  
OK63-01066-0001

# ARCTIC SILVER 90C Cables

90C-0XXX-02  
S/N CCH10000 and UP

